



FACADE PROTECTION

Safety on the outside

High-rises, schools, daycare centres, museums, asylum centres, cultural heritage – over the last years there have been many examples of fires originating in facades causing much damage. These fires are not discovered before the smoke has seeped into the building, where the detectors are located.

By then it might be too late.

One of the major challenges protecting the outside of buildings is isolating the monitoring to just the facade, and not the surrounding areas. Snow, rain and dirt are also affecting the detection. We have found a solution that works.

www.autronicafire.com

Protecting life, environment and property



Our new and groundbreaking solution for facade protection saves buildings and lives.

Arson and intentional fires are a major and growing problem. Also, unintentional fires caused by works, self ignition or other, in close proximity to combustible facades are a growing concern. These damages cost several million dollars, and pose a risk to life and property. Most buildings are equipped with fire detection systems on the inside. The exterior is an entirely different story. Until now.



Order the facade protection kit

Complete bracket w/mounting arm, coupled with AutoFlame IR flame detector BG-201. 116-KITD-BG-201F

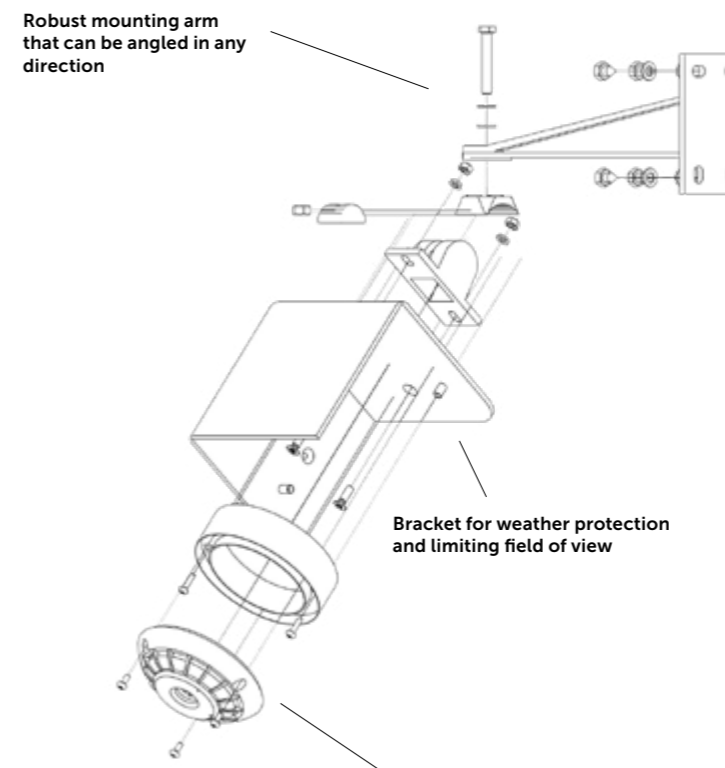
Facade protection with AutoFlame IR flame detector

In order to save lives and prevent damage to buildings, it is crucial that the fire is detected as early as possible and that the fire department is notified immediately.

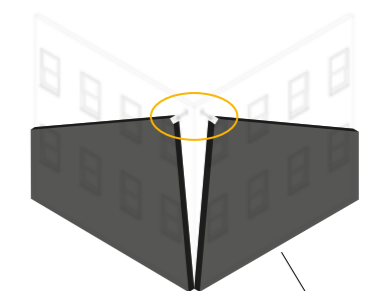
AutoFlame IR flame detector is robust and environmentally protected, making it ideal for outdoor use. The flame detector is mounted on a discreet bracket protecting the detector against the weather. Limited by the walls of the bracket, the detector field of view is 45 degrees. The mounting arm is adjustable to adapt the detector's cone of vision according to needs, both horizontally and vertically. In this way, the flame detector is directed at the facade only, without interruption from the surrounding area. It is also protected from snow, water or other kinds of pollution that is limiting or obstructing the detector's visibility or sensitivity.



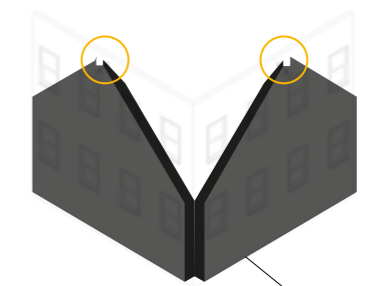
- Up to 20 m ground coverage
- Recognizes the signature in flames, allowing other sources of heat to pass in the area without raising the alarm
- Various sensitivity settings possible (Optimal at different distances)
- Easy detection of hydrocarbons
- Detects fires in organic materials
- Short-circuit isolator
- High degree of immunity to false alarm sources
- Automatic addressing
- Not blinded by oil film on window
- Sunlight resistant
- Built-in alarm indicator (LED)
- Interactive



AutoFlame IR flame detector is weather proof, has high false alarm immunity and provides accurate detection



Recommended mounting: Horizontal mounting for optimal coverage of the facade.



Alternative mounting: Vertical mounting for monitoring objects such as garbage containers.

Why choose facade protection from us?

Operational Manager	Owner	Fire department	Residents
<ul style="list-style-type: none"> Responsible for the safety of everyone residing in the building. The system must be operational at all times. Smart technology prolongs the life cycle and enhances the precision of the detector Weather proof detector and extra weather protection in the bracket ensures optimal operation in any climate 	<ul style="list-style-type: none"> Responsible for the safety of everyone residing in the building. An incipient fire must be detected as soon as possible The flame detector detect fire rather than waiting for smoke to seep into the building. With this type of facade protection a fire will be discovered far earlier. 	<ul style="list-style-type: none"> Responsible for fire fighting, lifesaving and salvage rescue. Quick response is essential to limit damage to life, environment and property. Early warning enables early turn-out and fire fighting. Smart technology recognizes sources of error and reduces the number of unwanted alarms. 	<ul style="list-style-type: none"> Have a safer everyday life, and gain more time to evacuate should the worst thing happen.



ONE SUPPLIER – TOTAL FIRE SAFETY

Fire safety is increasingly prioritized in large parts of the world, and we are happy to be part of that development. We make everyday life safer for factory workers in Brazil, hospital patients in The Netherlands and people shopping for groceries at the mall in Malaysia.

Protecting life, environment and property

Service and maintenance

Service and maintenance must be performed in accordance with local/national requirements. We recommend an annual service and control of the total system. We refer to relevant procedures included in the installation and commissioning handbooks from Autronica. We recommend that you let us or one of our certified partners take care of the service.

Approvals and standards

Local/national standards apply. All our fire safety products are approved according to EN 54. For certificates, visit our website.

Autronica Fire and Security
www.autronicafire.com

2018-03-04